



**Doppstadt**

**D Z 7 5 0 K O M B I**

Shredder 2 in 1



**Doppstadt**



» » **Designed for the solution  
of the most difficult shredding problems...**

...the DZ 750 Kombi. Kombi means the unique combination of pre- and re-shredding in one machine. Pre-shredding is carried out by the sound single-shaft principle and the hydraulically controlled shredding comb. Re-shredding is carried out by a fast-running flail drum with free-swinging tools. This combination can process even the most difficult materials into a reusable product. Like all the other Doppstadt machines, the DZ 750 Kombi stands out for operator-friendliness, quickly replaceable tools and mobility.



- » 1 The slewable cooler is easily accessible. For self-cleaning, the large fan wheel is reversible. The low speed keeps down the noise level.
- » 2 A replaceable fine shredding basket closes the rear side of the shredding chamber. The mesh size (0 – 280 mm) determines the material grain size.
- » 3/4 The roller teeth tear the material through the hydraulically controlled shredding comb, the comb opens automatically in case of large foreign objects in order to protect the machine and to reduce the tool wear. The comb is adjustable to the special kinds of material.
- » 5 Easy machine operation by remote control.
- » 6 The free-swinging flails of the flail drum (gyrating mass appr. 2,5 t) are provided with easily replaceable flail tips that can be adjusted to the materials to be shredded (e.g. hard metal, armoured tips).
- » 7 Iron separation by 2 overband magnets.





>> Pallets

>> Shredding of wood waste, pallets, railway sleepers

>> Green waste, organic waste...

>> Bulky, industrial waste...

>> Waste wood, pallets ...




>> Trunkwood...

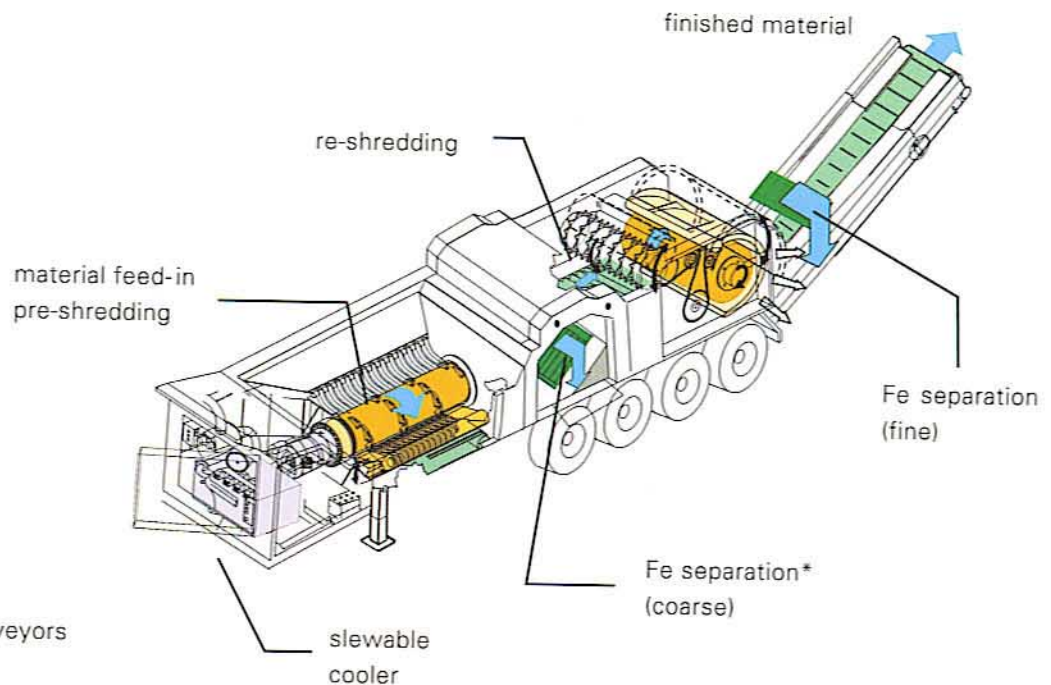
>> Roots...



**Shredding of bulky waste, domestic waste, garbage, green waste, industrial waste, mixed construction waste, organic waste, roots and waste wood.**

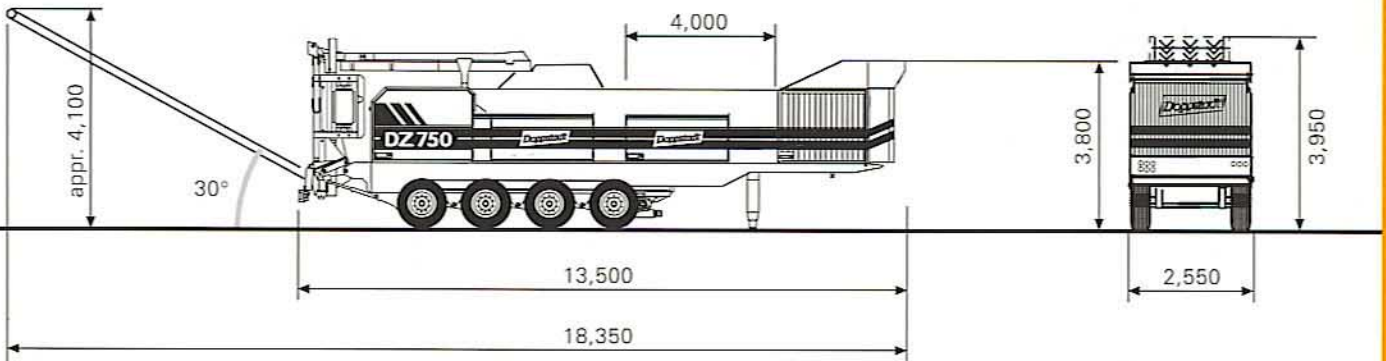
**...e.g. for biomass and substitute fuel processing.**

-  drive unit
-  shredding roller
-  flail drum with free-swinging flails
-  shredding comb
-  discharge/transport conveyors
-  fine shredding basket (slewable, replaceable)



# DZ 750 KOMBI

## Technical Data (dimensions in mm)



<b>Description</b>	Mobile shredder with combination of pre- and fine-shredding (2 in 1), mounted on semitrailer chassis for 80 km/h according to STVZO with ABS
<b>Drive</b>	Diesel motor
Type	DaimlerChrysler OM 502 LA
Power	448 kW (610 hp)
Exhaust level	EUROMOT 2
<b>Shredding process</b>	
1. Pre-shredding	slow-running roller with shredding comb
2. Fine shredding	fast-running shredding drum with flails
Switching	shredding 1 or 1 + 2 (fine shredding can be switched on or off)
<b>Metal separation</b>	integrated 2-fold metal separation (overband fine and coarse)
<b>Roller shredding</b>	roller and comb, length 3,000 mm
<b>Flail drum</b>	
Width	1,750 mm
Diameter	1,120 mm
Weight (with flails)	appr. 2,500 kg
Speed	965 – 1,065 rpm (depends on the motor speed)
Number of flails	36
Flail weight	appr. 14.5 kg incl. tip
Max. introducing height	650 mm
<b>Discharge conveyor</b>	
Length	7,000 mm
Width	1,500 mm
Belt speed	2.1 m/s
Discharge height	4,140 mm
<b>Standard equipment</b>	fine shredding basket, hard metal flail tips, remote control, 2 overband magnets
<b>Options</b>	choice of fine shredding baskets 40 – 280 mm, magnetic drum

### Doppstadt Calbe GmbH

Barbyer Chaussee 3, 39240 Calbe/Saale, Germany

phone: (+49) 3 92 91 / 55 - 270

fax: (+49) 3 92 91 / 55 - 358

info@doppstadt.com, www.doppstadt.com

May 2003, specifications subject to technical alterations.

The specifications are approximate, illustrations and descriptions might include options that are not part of the standard equipment.

**Doppstadt**