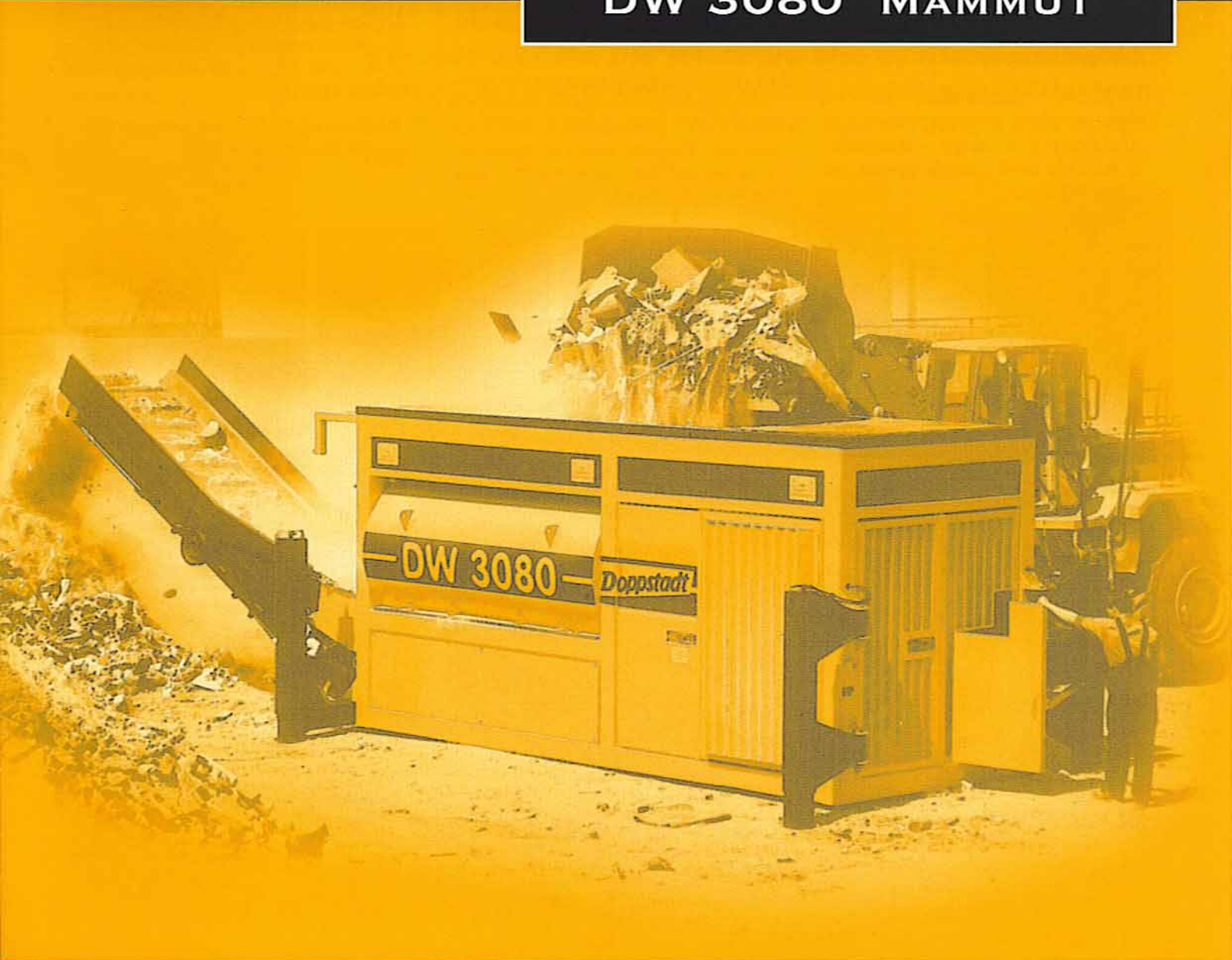


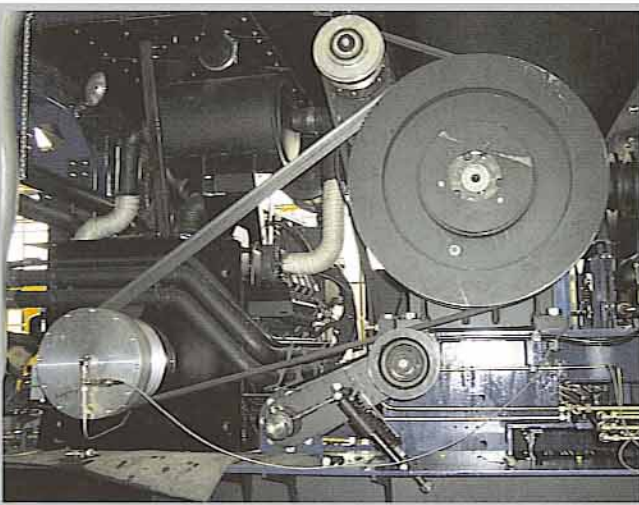
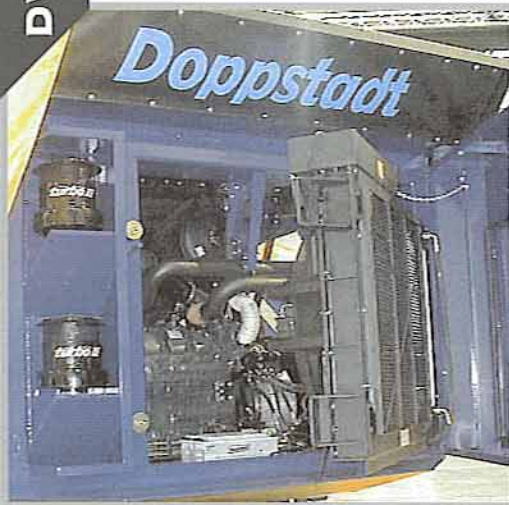
**Doppstadt**

**DW 3080 MAMMUT**



**Doppstadt**

WE CARE



- **A single toothed shaft working through a hydraulically loaded comb provides the best solution to even the most intractable shredding problems – material-specific wear parts are easily and quickly replaced**
- **Efficient mechanical power transmission through a direct planetary gear drive – shredder is quickly and simply prepared for work**

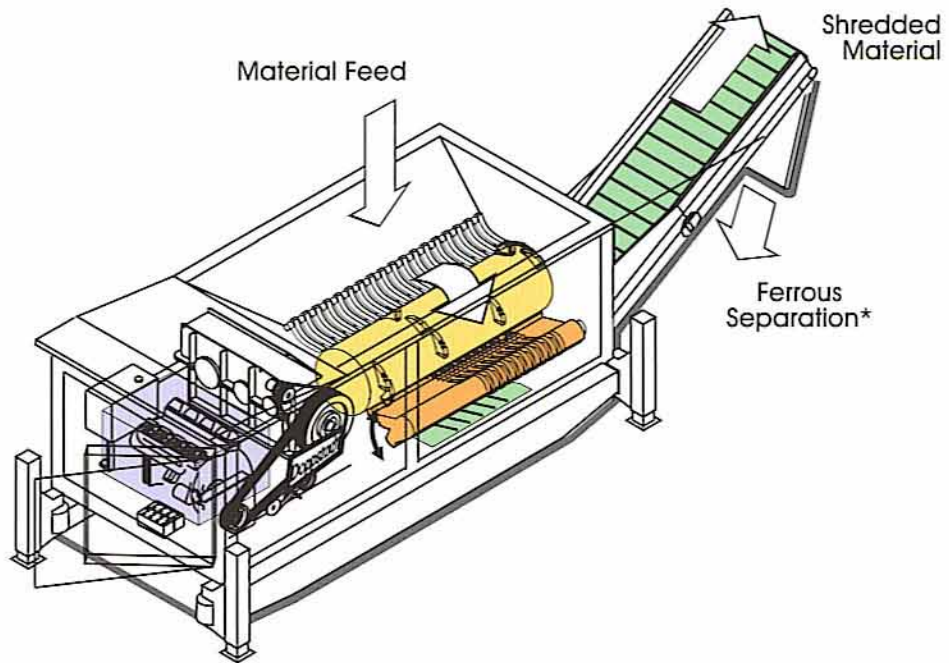
- 1 Good access provided by large safety doors – folding "A" frame for moving by hooklift or loading shovel fitted with tow-ball coupling.
- 2 Powerful and easily accessible engine and gearbox, complete with hydraulic reversing system.
- 3/4 Easily replaceable teeth on the rotating shaft shear material against the hydraulically loaded comb – in case of overload the comb opens automatically to protect the machine and reduce wear to a minimum.

- 5 Secured by wedges and easily accessible from outside, the comb elements are quickly replaceable.
- 6/7 Simply operated by remote control\* from cab of grab or shovel – accurate adjustments are easily made thanks to the multi-function display – readily manoeuvrable on site by a shovel with tow-ball coupling.
- 8 Hydraulically folding rear conveyor makes for speedy operation.



- **Electronically controlled Mercedes-Benz-motor: extremely silent, low fuel consumption, EC stage 1 emission standard**

- Drive Unit
- Shredding Shaft
- Shredding Comb
- Discharge / Transport Conveyors



\*) Optional extra



Green, organic waste



Bulky, industrial waste



Low loader transport – ready for operation



For use in rubbish dumps



Wood waste, pallets  
Tyres

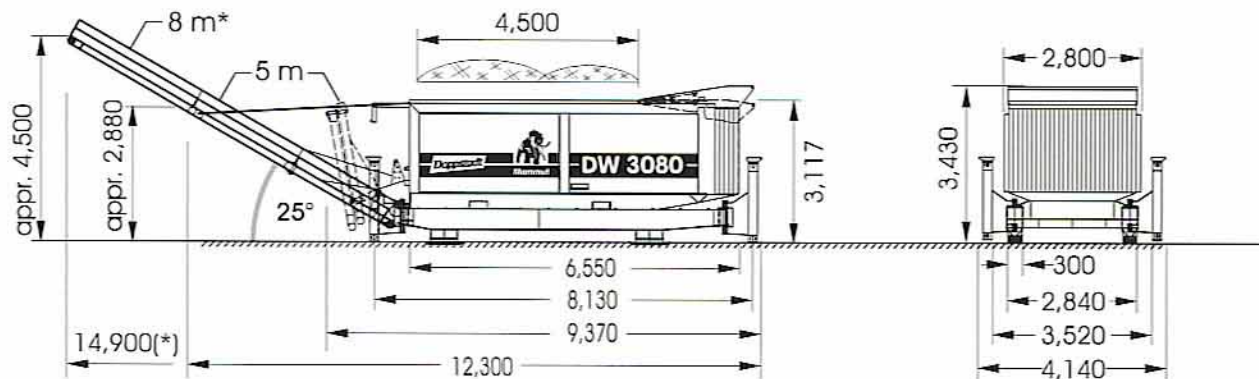
**Shredding of wood waste, trunks, roots, green waste, organic waste, domestic, bulky and industrial waste, builders' skip waste...**

**Shredders of the DW series are also available on hooklift chassis, as semi-trailers, on tracks, or stationary. Diesel and electric drives of many different power ranges can be offered.**



# DW 3080 MAMMUT

## Technical Data (dimensions in mm)



|                        |  |                               |
|------------------------|--|-------------------------------|
| <b>Weight</b>          | appr. 32,000 kg  |                               |
| <b>Description</b>     | Semimobile Shredder (single-shaft principle) with hydraulic corner supports, transport on low loader   |                               |
| <b>Engine</b>          | MB, OM 502 LA, V8 with turbocharging (Option: electronic motor)  |                               |
| Power                  | 350 kW (476 HP) at 1,800 min <sup>-1</sup>   |                               |
| Max. Torque            | 2,300 Nm at 1,080 min <sup>-1</sup>  |                               |
| Emission standard      | EURO MOT 1   |                               |
| Cubic capacity         | 15,930 cm <sup>3</sup>   |                               |
| Fuel tank              | 2 x 300 l  |                               |
| <b>Roller</b>          |  |                               |
| Length                 | 3,000 mm   |                               |
| Diameter               | 800 mm   |                               |
| Speed                  | 30 min <sup>-1</sup>   |                               |
| Tooth width, number    | 60 mm, 21 pcs.   |                               |
| <b>Comb</b>            |  |                               |
| Length                 | 3,000 mm   |                               |
| Tooth width, number    | 60 mm, 22 pcs.   |                               |
| <b>Conveyors</b>       |  |                               |
|                        | lower conveyor   | rear conveyor                 |
| Width                  | 1,000 mm   | 1,200 mm                      |
| Length                 | 4,000 mm   | 5,000 mm (optional 8,000 mm*) |
| Speed                  | 2.3 m/s max  | 2,3 m/s max.                  |
| Discharge height       | appr. 2,700 (appr. 4,500 mm at 8 m*)   |                               |
| <b>Optional extras</b> | Overband magnet, Magnetic pulley, 12-channel remote control, additional hydraulic connection, damping facility, non-magnetic sections in way of overband magnet, comb extension for fineshredding unit |                               |

## CONTACT...

**DVG - DOPPSTADT Vertriebsgesellschaft mbH**

Steinbrink 4

D- 42555 Velbert (GERMANY)

Phone (+49)2052-889-0

Fax (+49)2052-889-144

E-mail: [info@doppstadt.de](mailto:info@doppstadt.de)  
Internet: [www.doppstadt.com](http://www.doppstadt.com)